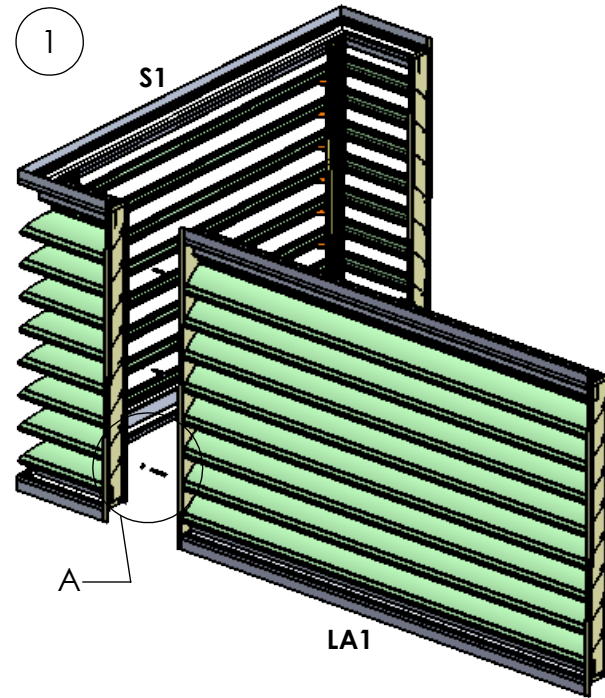


MITRE MULTI-SECTION PENTHOUSE ASSEMBLY INSTRUCTIONS

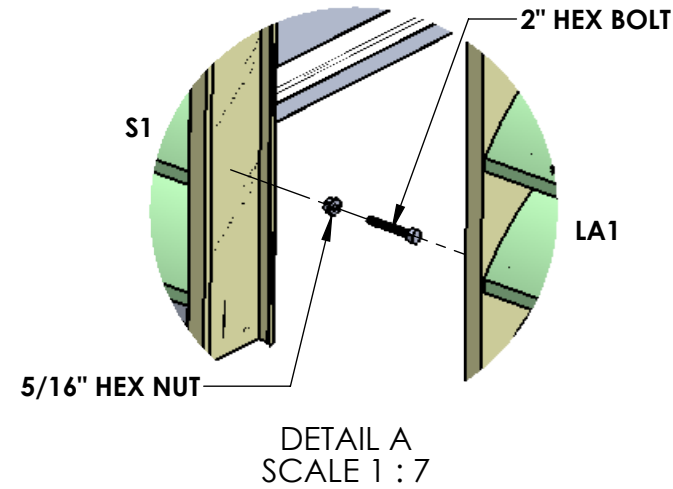
LEGEND		
PARTS	QTY.	DESCRIPTION
S1	1	SHORT SIDE U PANEL
S2	1	SHORT SIDE U PANEL
LA1	1	LOUVER PANEL TO INSTALLED WITH S1
LA2	1	LOUVER PANEL TO INSTALLED WITH S2
LB1	1	LOUVER PANEL TO INSTALLED WITH S1
LB2	1	LOUVER PANEL TO INSTALLED WITH S2
SC	4	SUPPORT CHANNEL; 2 FOR EACH PENTHOUSE SECTION
RSA	5	ROOF SUPPORT ANGLE; USED AS A BASE FOR ROOF
R1	1	ROOF PANEL FOR SHORT ENDS
R2	1	ROOF PANEL 2; USED TO ATTACH R1 & R2
R3	3	ROOF PANEL 3
BCA		BLADE CARRIER ANGLES; USED IN PLACE OF BLADE CARRIERS WHEN PENTHOUSE EXCEEDS 96" X 96" AND MUST MEET SNOW LOADS
FASTENER		3/4" SELF-TAPPING SCREW
FASTENER		1-1/2" SELF-TAPPING SCREW
FASTENER		1/2" WASHER HEAD SELF-TAPPING SCREW
FASTENER		2" HEX BOLT
FASTENER		5/16" HEX NUT
FASTENER		3/4" PAN HEAD SCREW OR HEX SOCKET SCREW

PARTS SHOWN IN LEGEND ARE FOR 169" X 60.5" X 45"
 (1 X 2 SECTION) PENTHOUSE

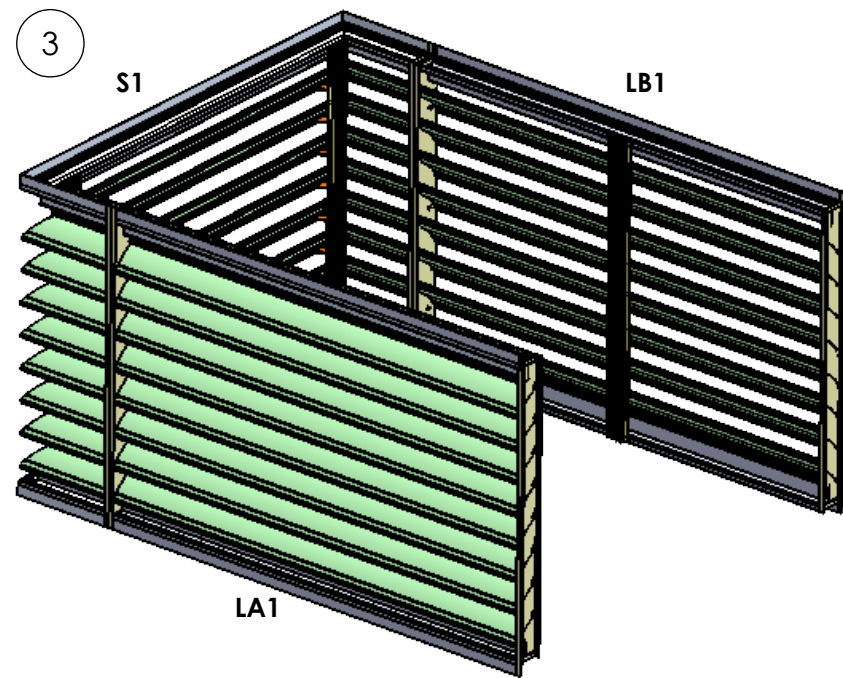
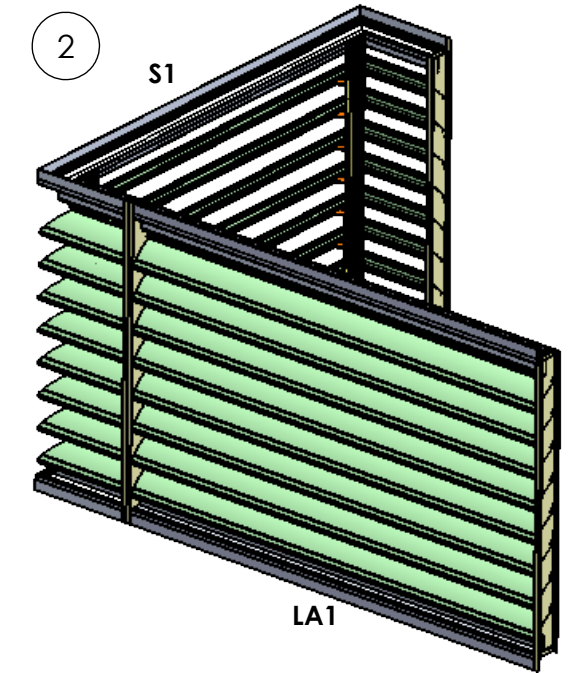
NOTE: QUANTITY OF THE PARTS DEPENDS ON
 THE SIZE OF THE PENTHOUSE



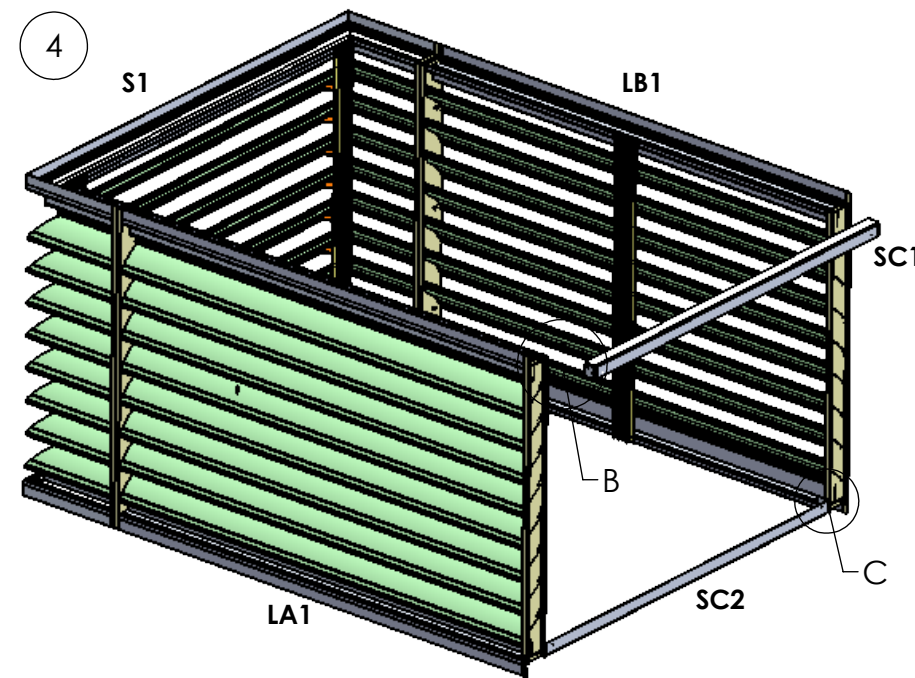
ASSEMBLE LA1 LOUVER PANEL WITH U-PANEL USING THE PROVIDED BOLTS AND NUTS



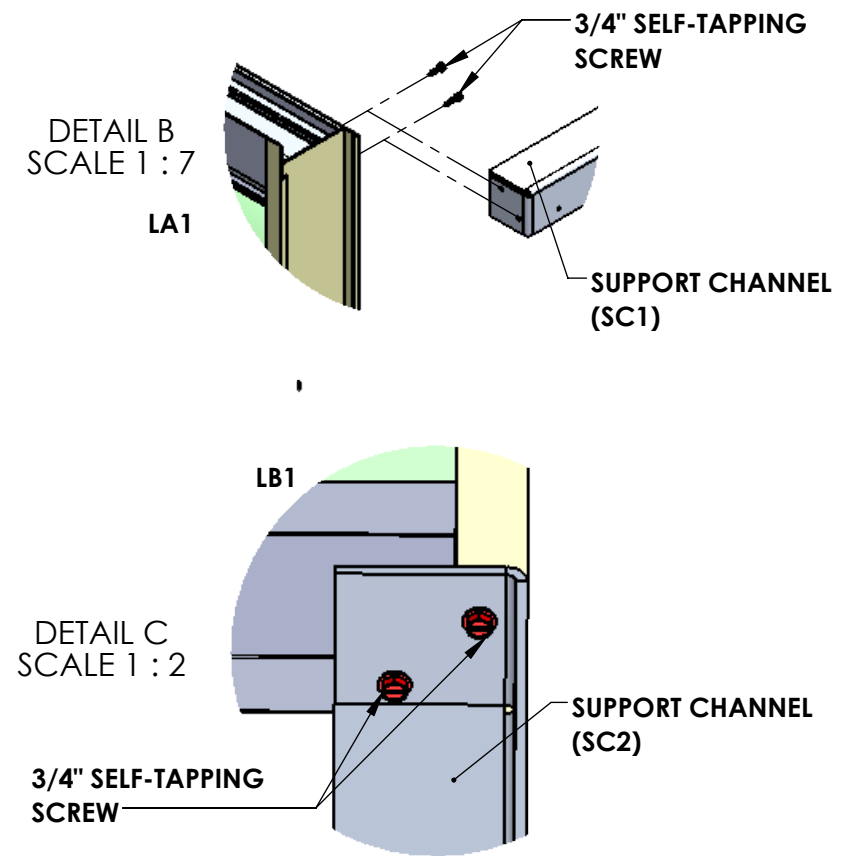
(SEE PAGE:2 DETAIL D FOR MORE DETAILS)



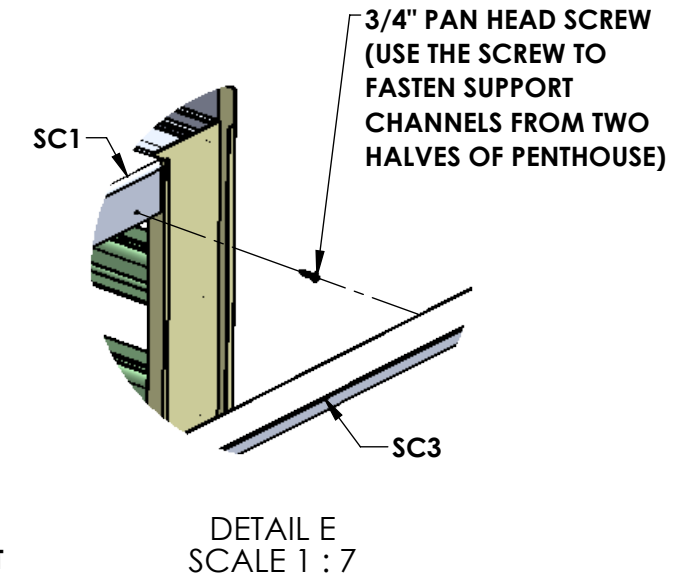
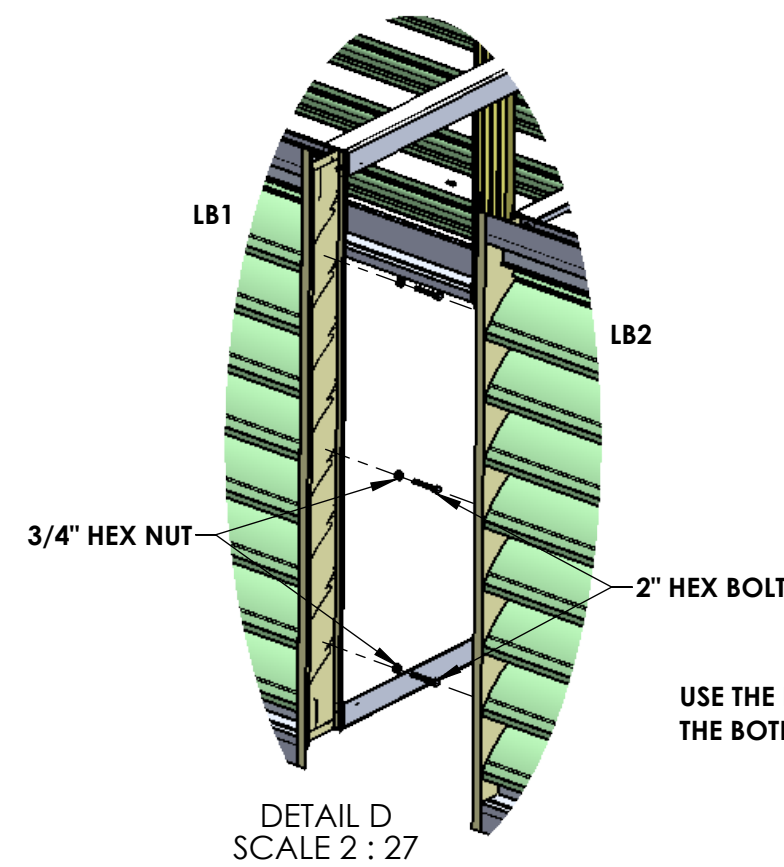
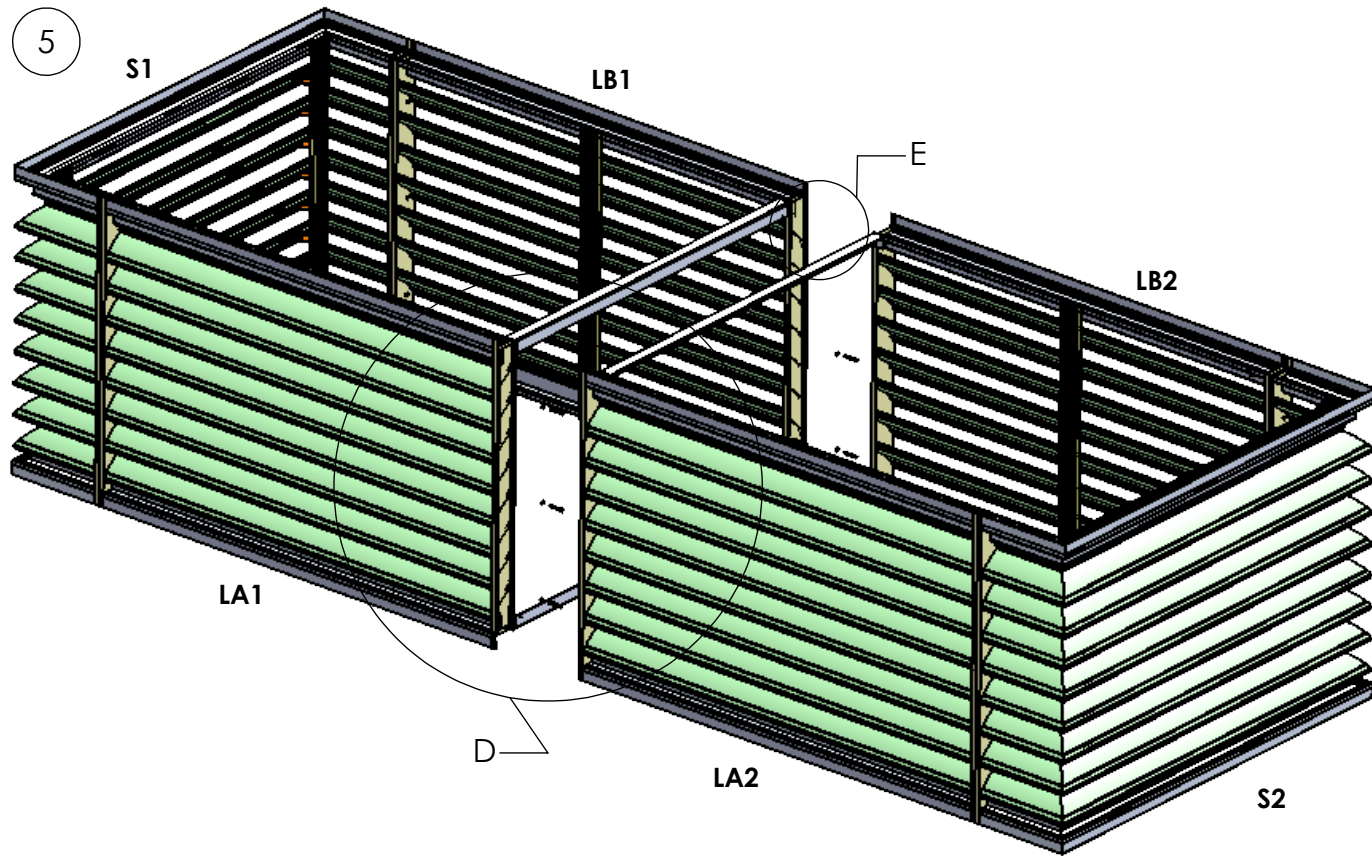
ASSEMBLE THE LB1 LOUVER SAME AS LA1



TAKE TWO SUPPORT CHANNELS AND ASSEMBLE THEM WITH THE OPEN SIDE OF THE SECTION (SEE ABOVE)
 ASSEMBLE THE SECOND HALF OF THE PENTHOUSE SIMILARLY USING RIGHT TAGGEG PARTS.

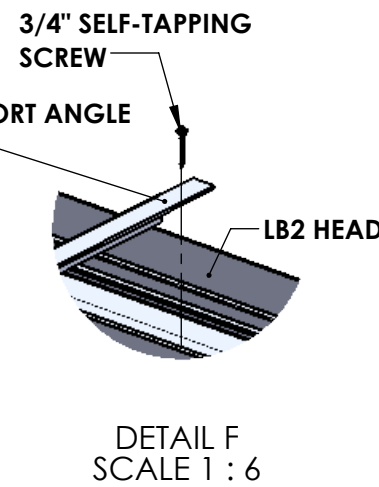
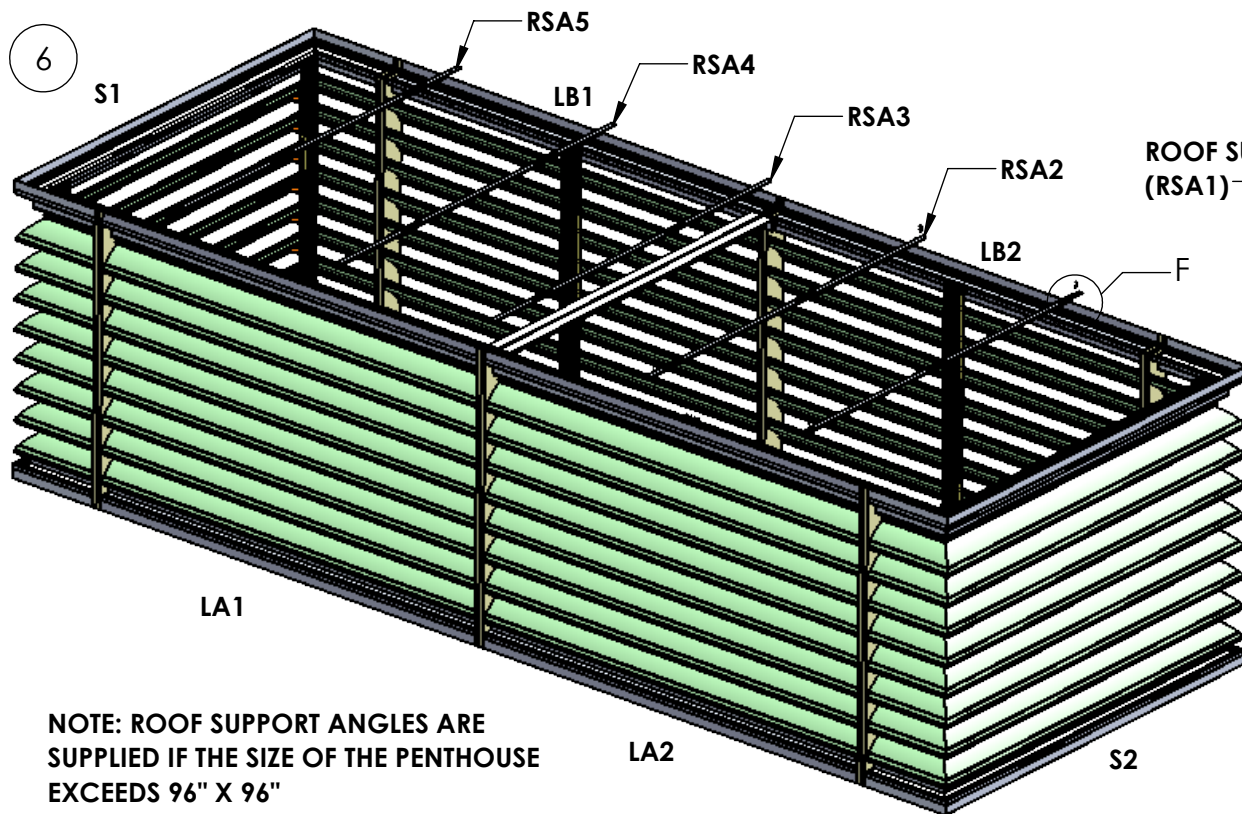


MITRE MULTI-SECTION PENTHOUSE ASSEMBLY INSTRUCTIONS

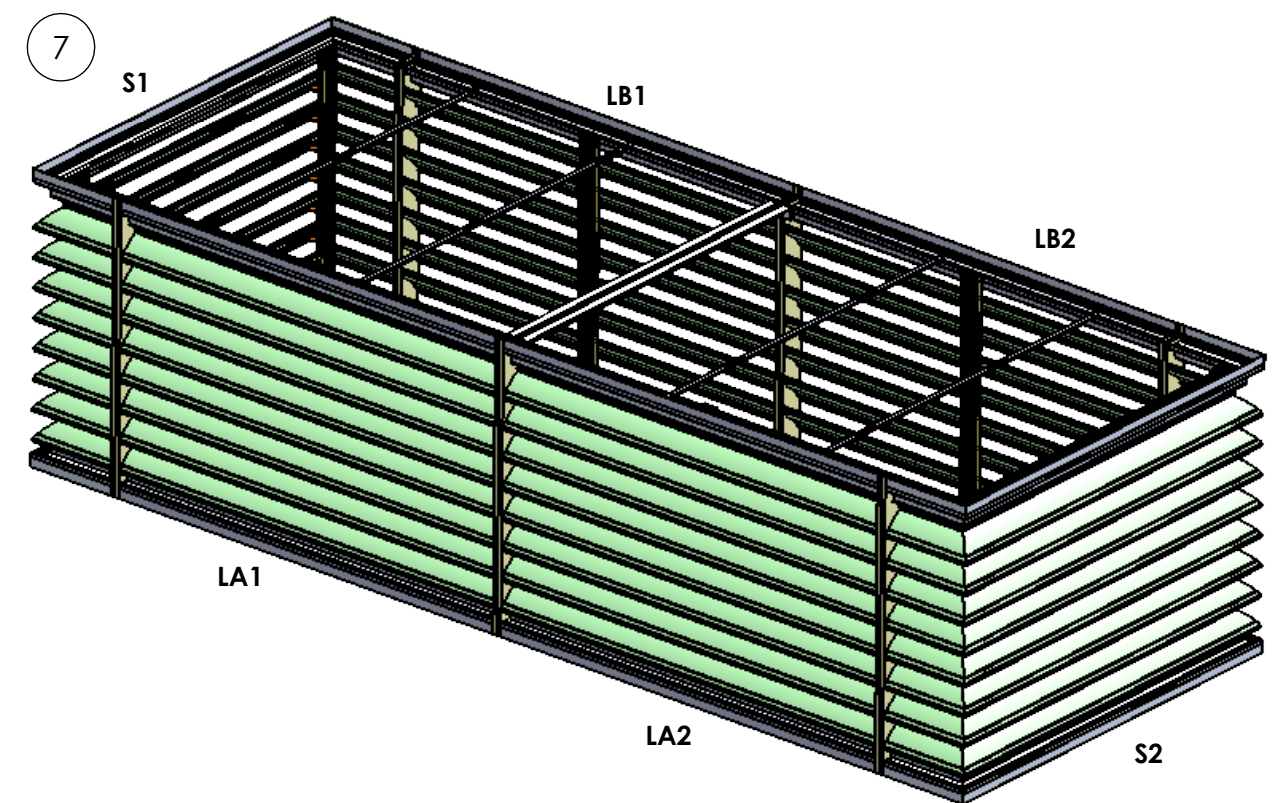


USE THE PROVIDED HEX BOLTS AND SCREW TO ASSEMBLE THE BOTH HALVES OF THE PENTHOUSE TOGETHER AS SHOWN

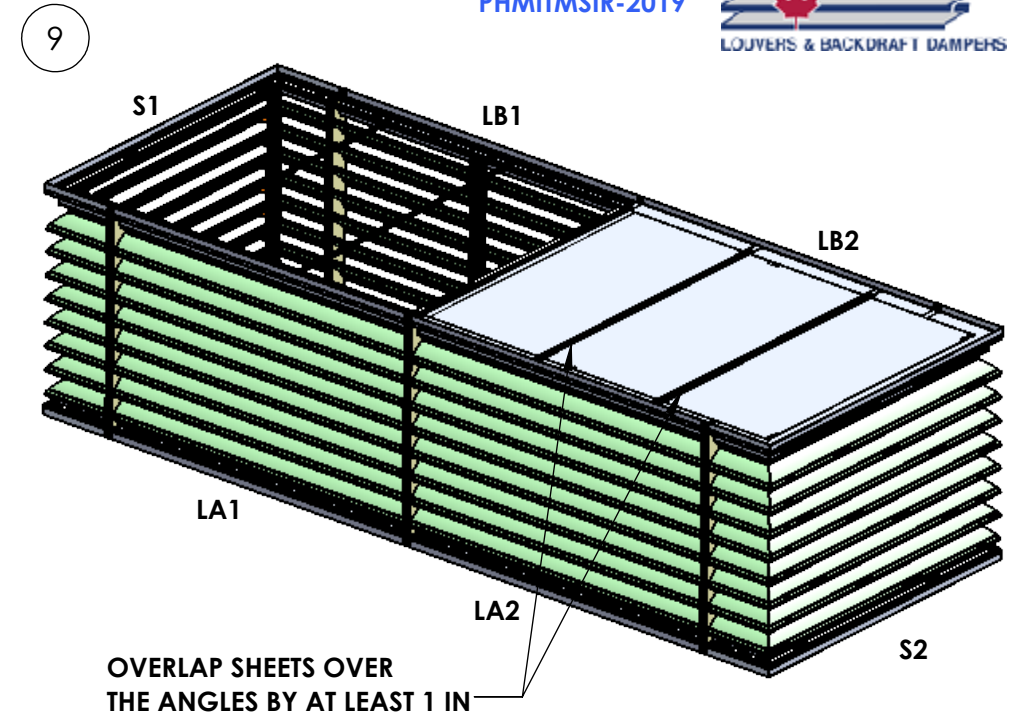
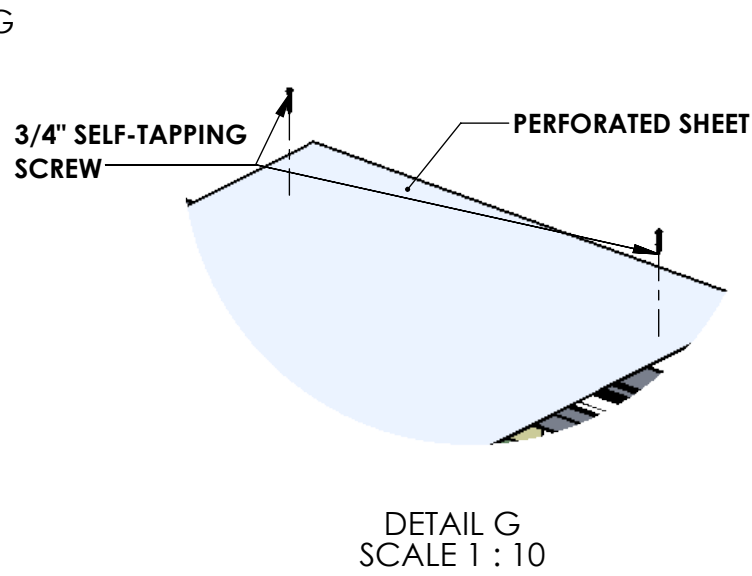
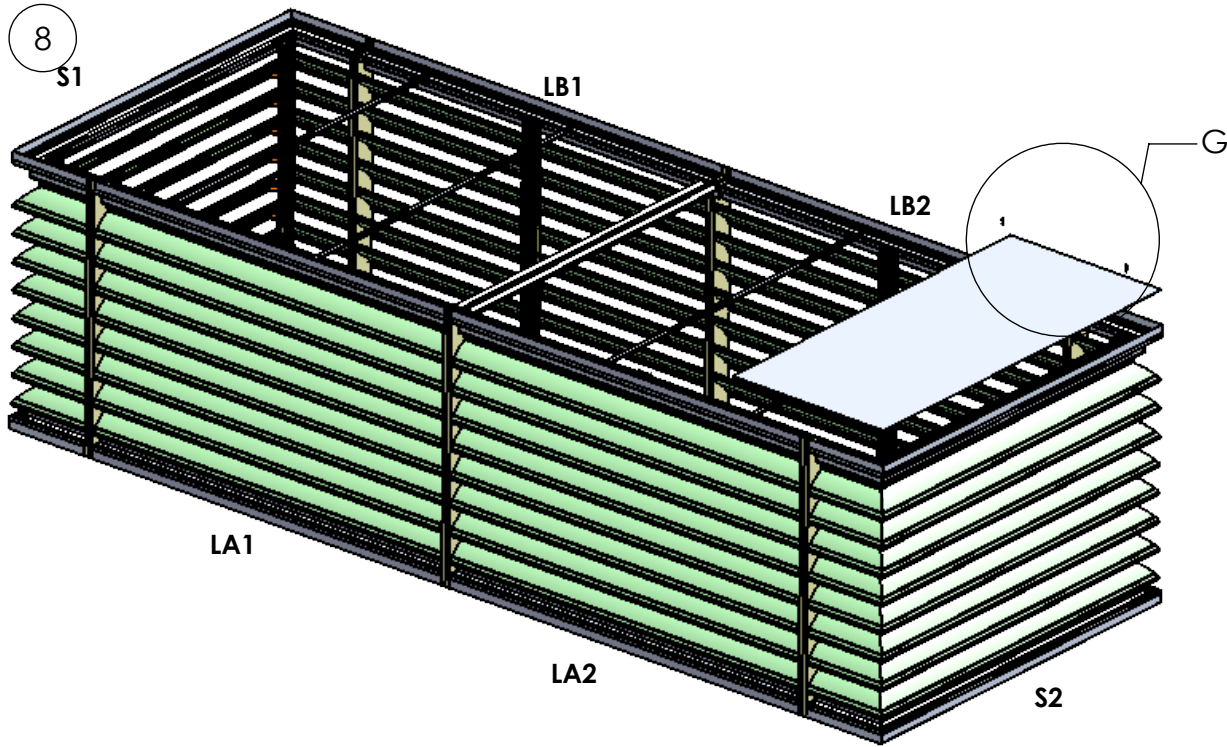
NOTE: 3 BOLTS FOR HEIGHT LESS THAN 72"
 4 BOLTS FOR 72" OR MORE



NOTE: ROOF SUPPORT ANGLES ARE SUPPLIED IF THE SIZE OF THE PENTHOUSE EXCEEDS 96" X 96"

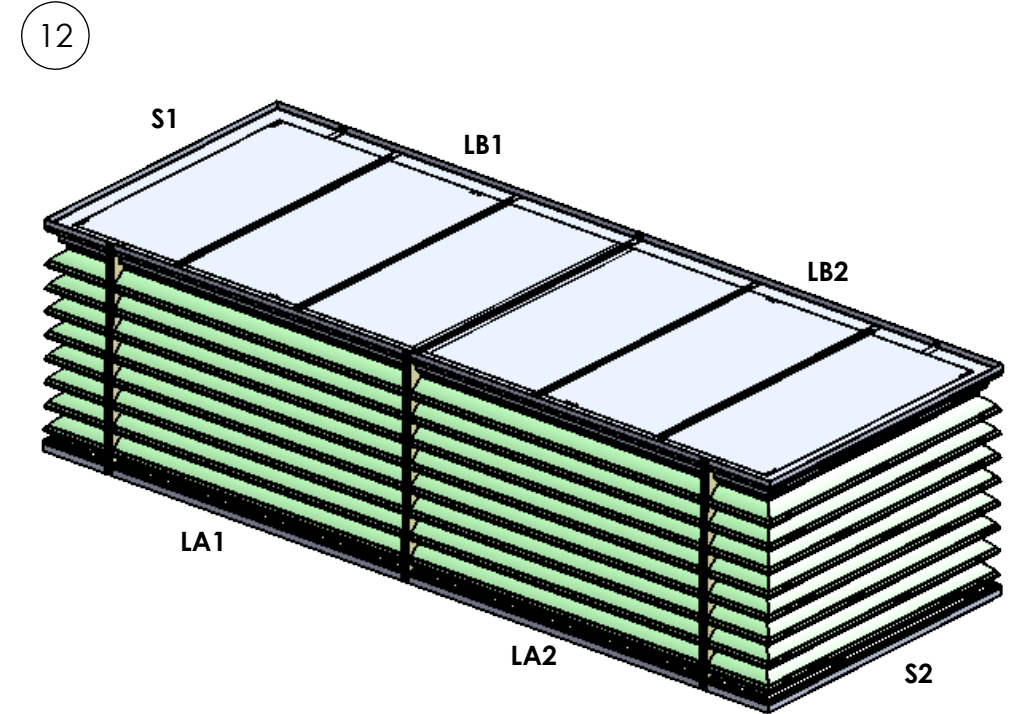
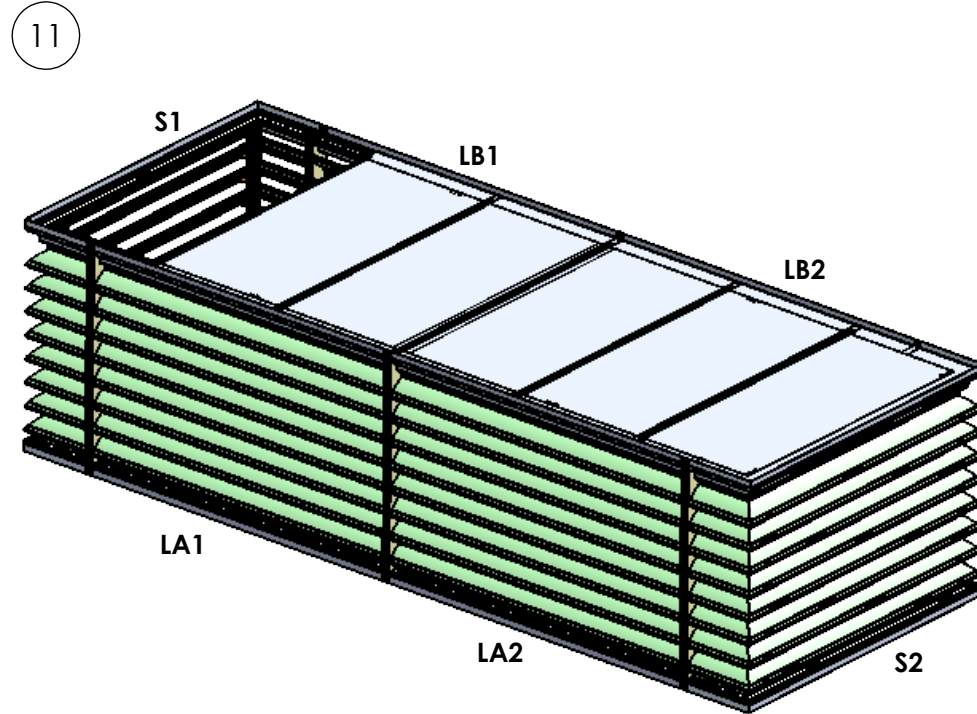
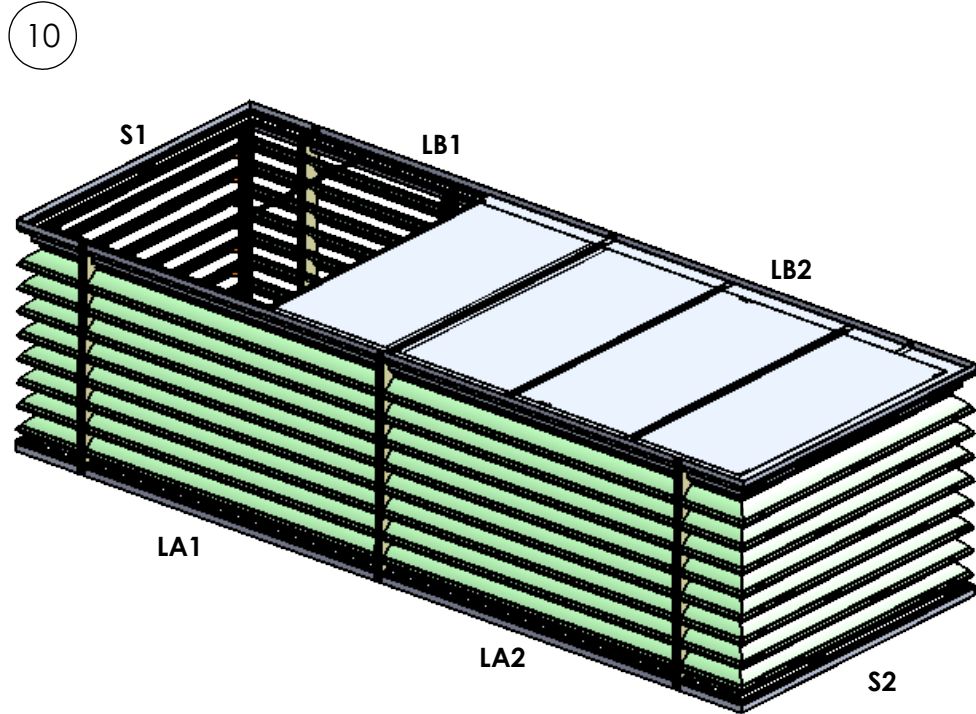


MITRE MULTI-SECTION PENTHOUSE ASSEMBLY INSTRUCTIONS



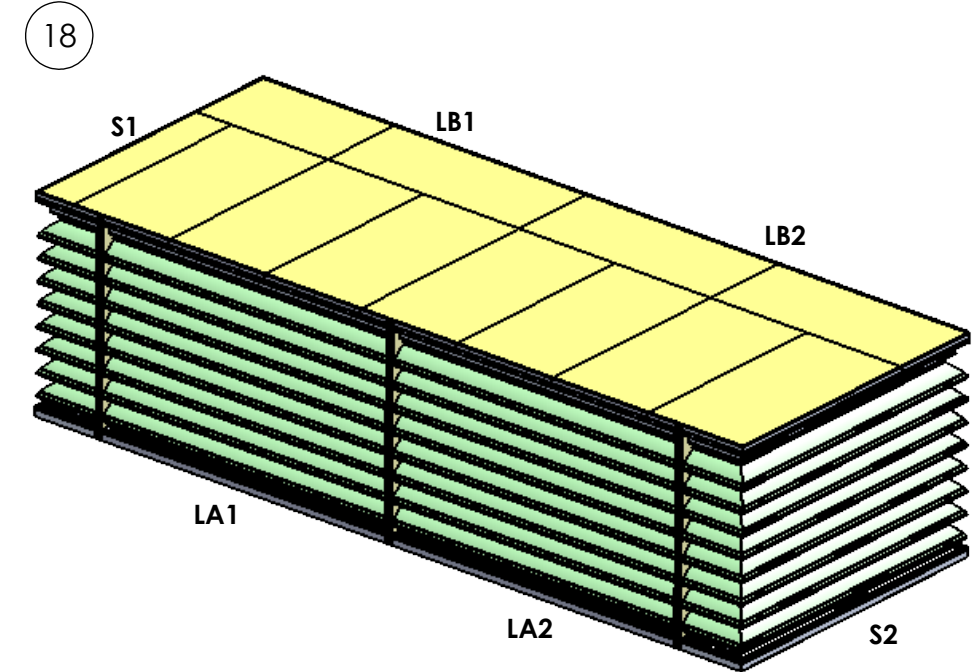
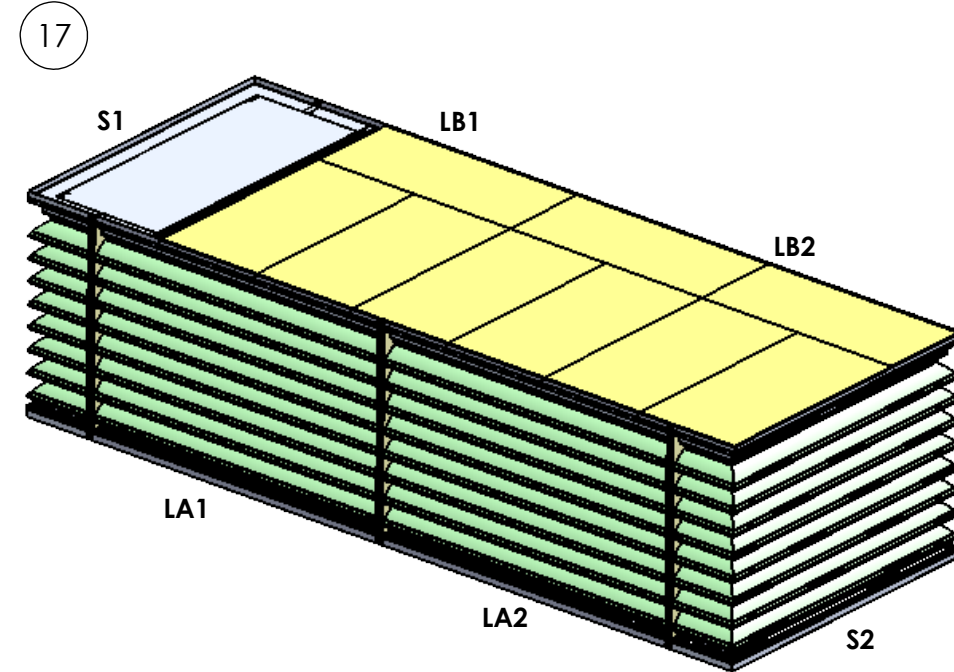
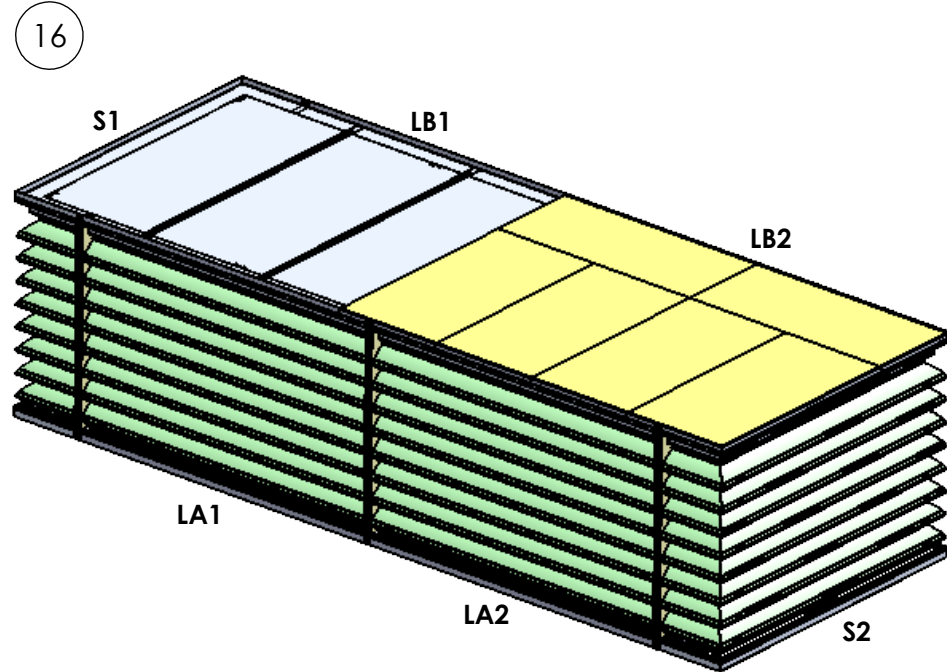
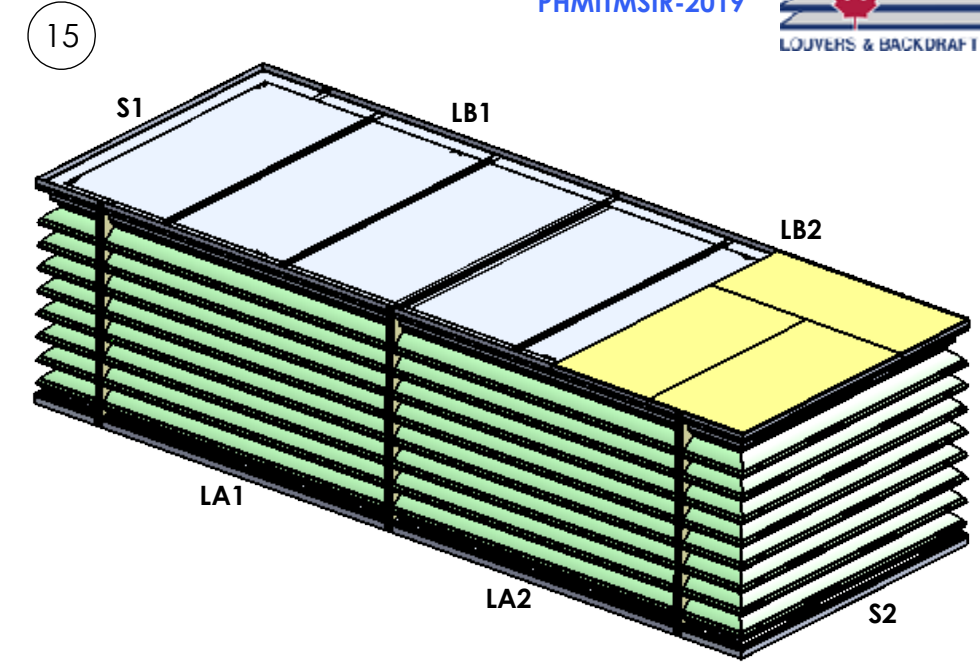
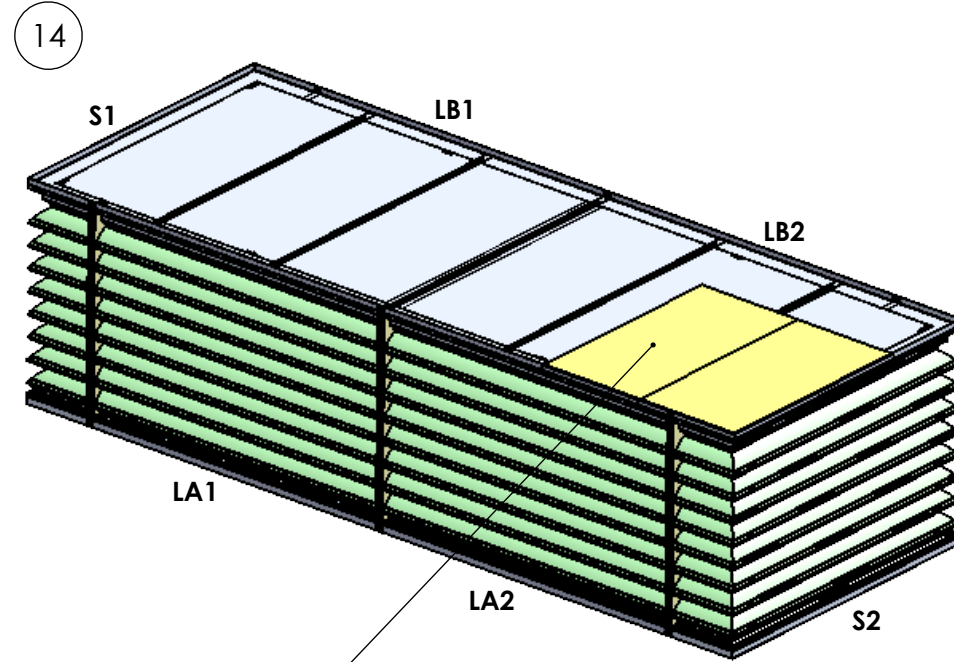
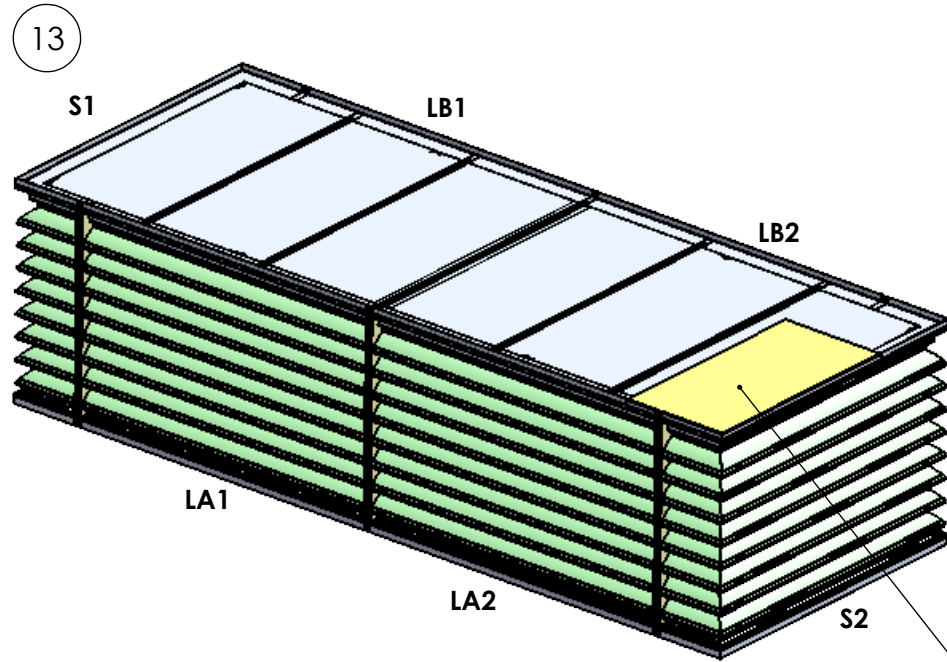
PUT THE PERFORATED SHEETS ON THE TOP OF ROOF SUPPORT ANGLES AND SCREW THEM TO THE HEAD OF THE LOUVERS (SEE DETAIL G)

PERFORATED SHEETS ARE SCREWED INTO THE ANGLES AT 16IN CENTERS ON EACH OVERLAP TO PREVENT IT FROM BUFFETING



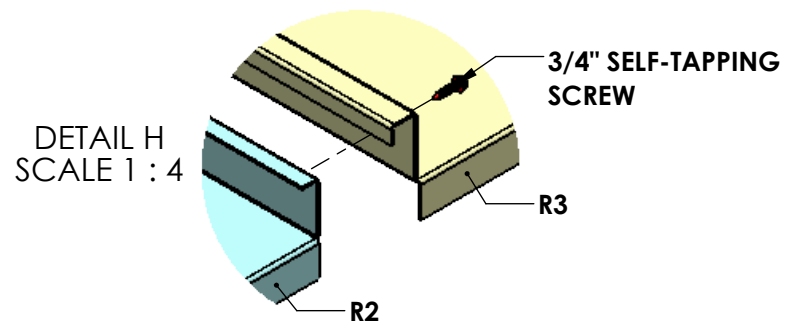
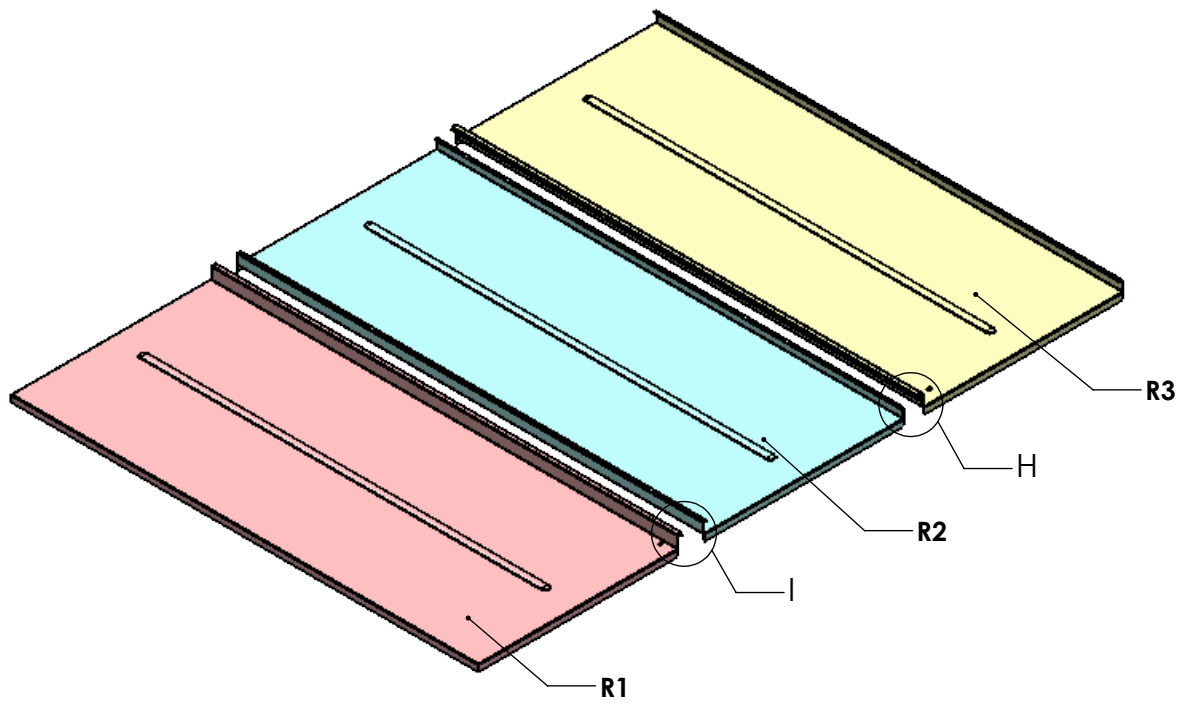
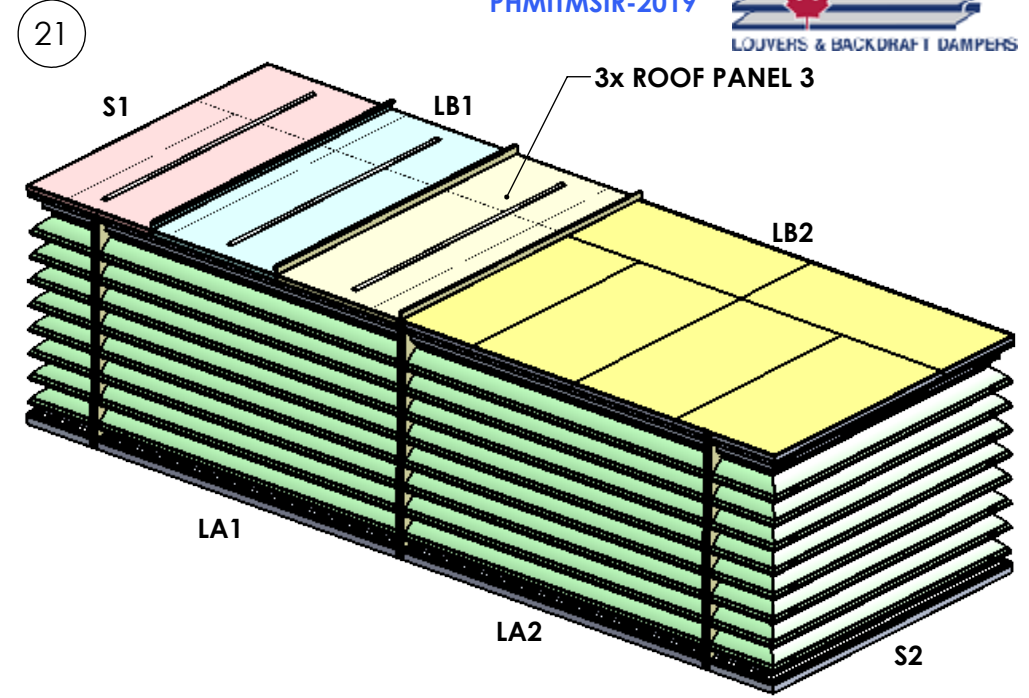
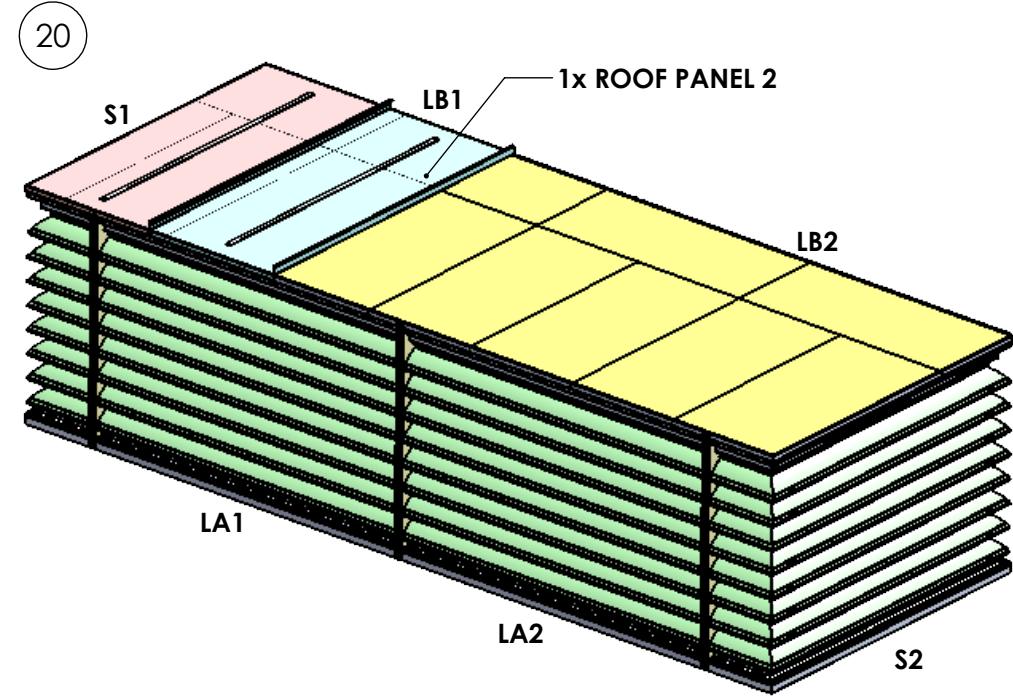
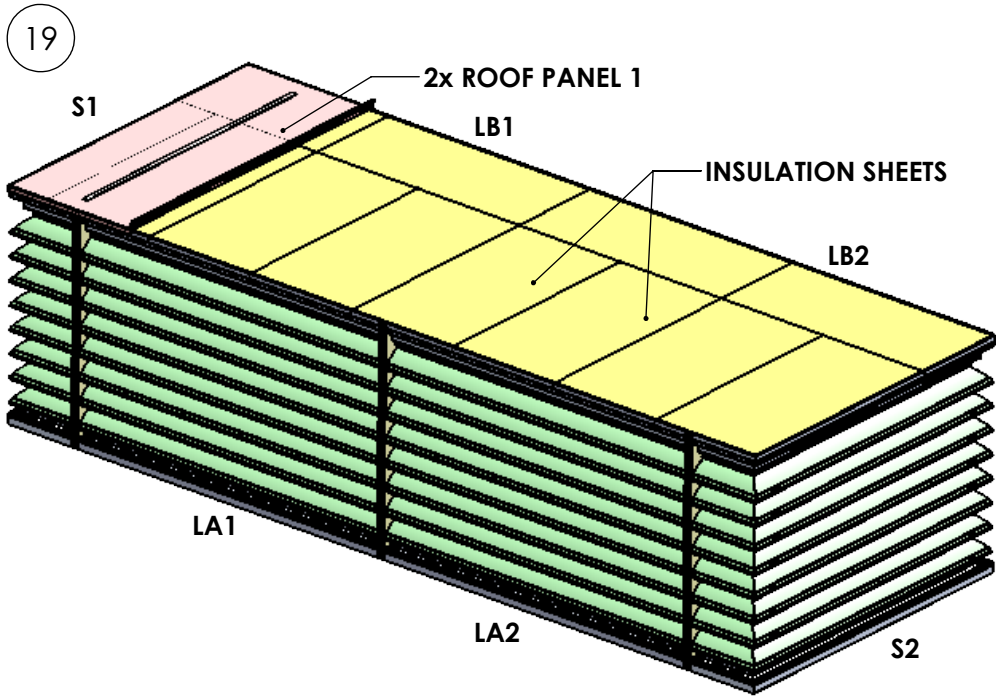
ASSEMBLE THE PERFORATED SHEETS AS SHOWN

MITRE MULTI-SECTION PENTHOUSE ASSEMBLY INSTRUCTIONS

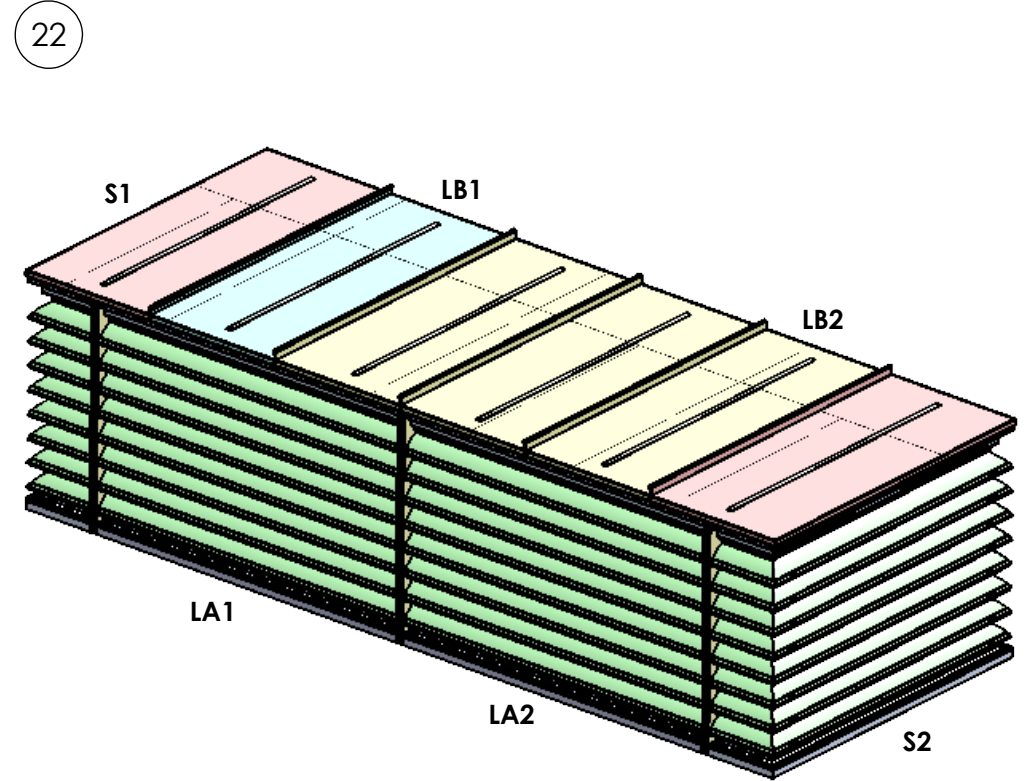
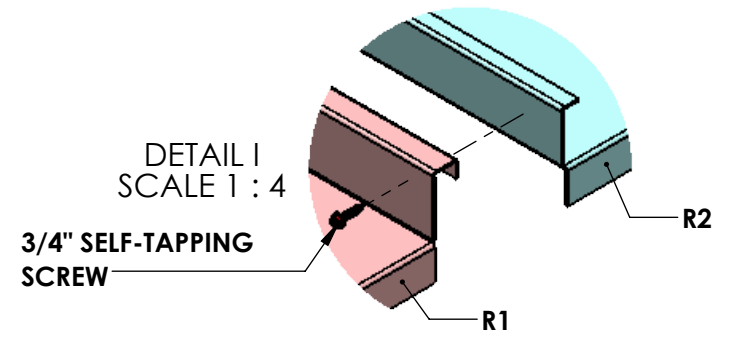


PUT THE INSULATION SHEETS ON THE TOP OF THE PERFORATED SHEETS
AS SHOWN FOR MAXIMUM COVERAGE

MITRE MULTI-SECTION PENTHOUSE ASSEMBLY INSTRUCTIONS



ALL 3 ROOF PANELS HAVE UNIQUE UPTURNS
 ROOF 1 HAS DOWNTURN ON S1 END
 ROOF 2 & 3 DO NOT HAVE DOWNTURN ON LONG ENDS



COMPLETE PENTHOUSE ASSEMBLY

ASSEMBLE THE ROOF PANELS AS SHOWN
 SCREW THE ROOF FROM SIDES USING 3/4" SELF-TAPPING SCREW